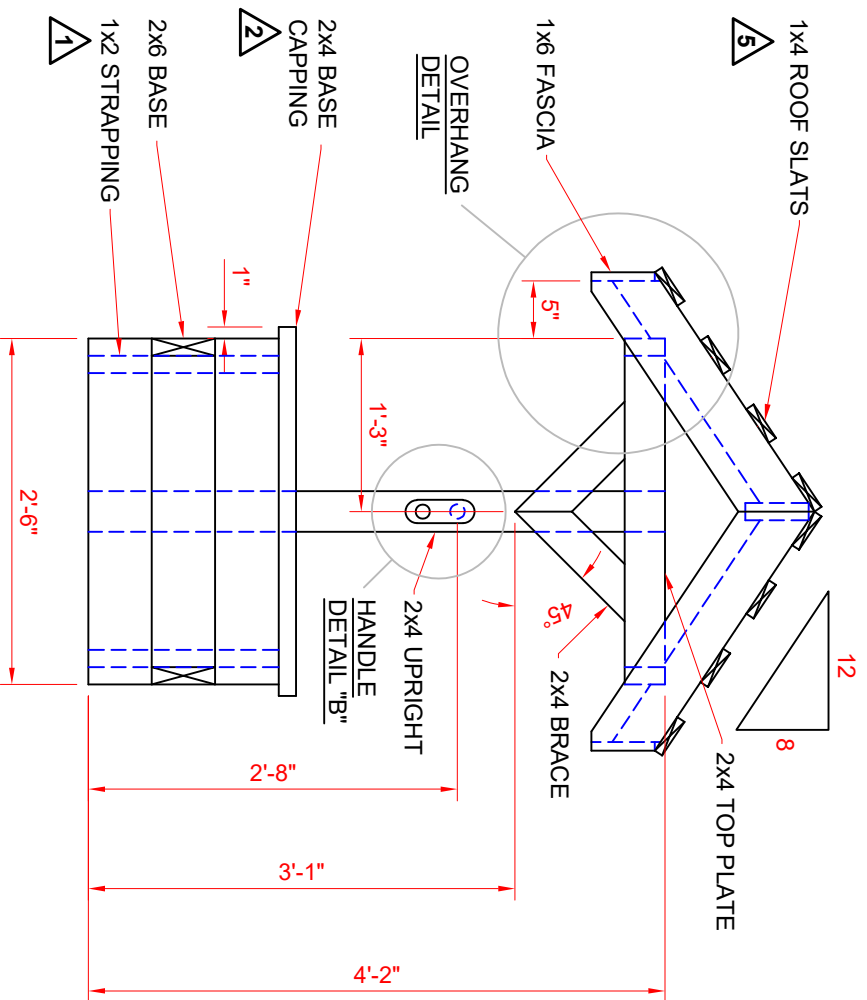
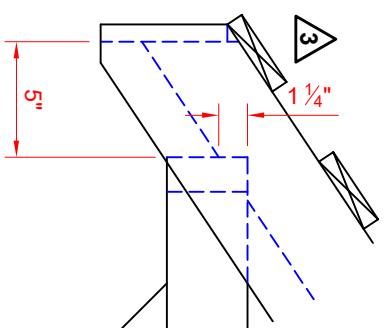


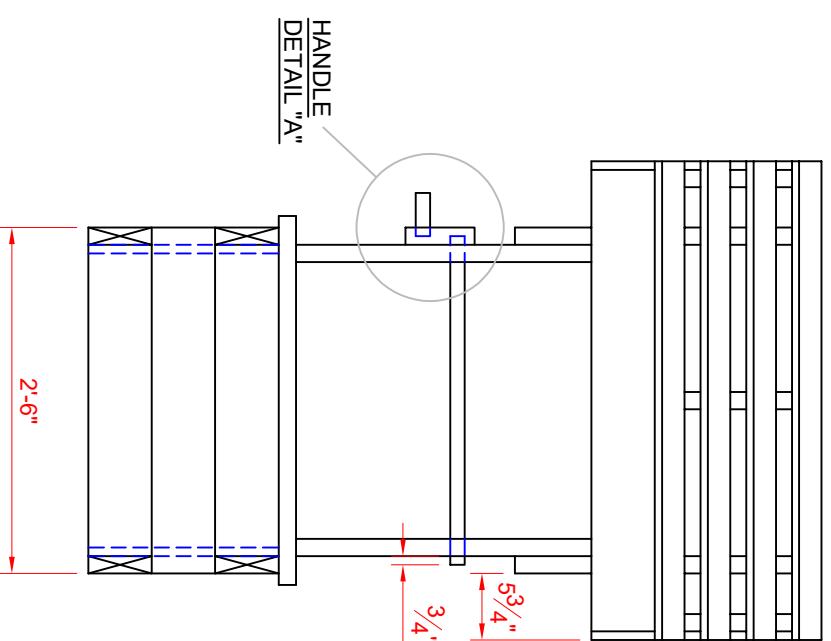
TOP VIEW OF ROOF LAYOUT



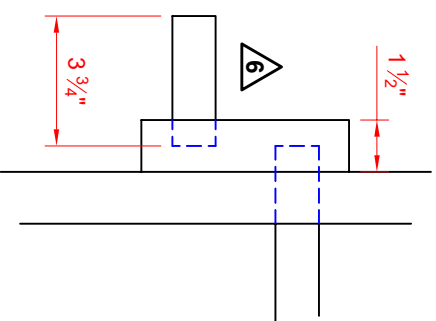
FRONT ELEVATION



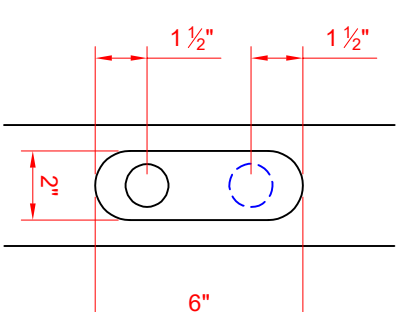
OVERHANG DETAIL



SIDE ELEVATION



HANDLE DETAIL "A"



HANDLE DETAIL "B"

NOTES:

- 1 SECURE 2x6 BASE PIECES WITH ONE PIECE OF 1x2 STRAPPING AT EACH CORNER.
- 2 2x4 BASE CAPPING TO BE MITERED AT CORNERS AND NOTCHED AROUND 2x4 UPRIGHT.
- 3 BIRDS MOUTH TO HAVE A 1 1/4" PLUMB CUT.
- 4 MIDDLE RAFTERS TO BE CENTERED ALONG RIDGE BOARD AND FASCIA
- 5 1x4 ROOF SLATS TO BE EVENLY SPACED ALONG RAFTERS.
- 6 1 1/4" DOWEL HANDLE TO GO HALF WAY INTO HANDLE BLOCK.