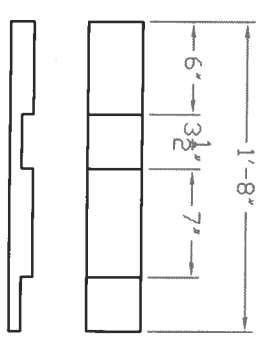
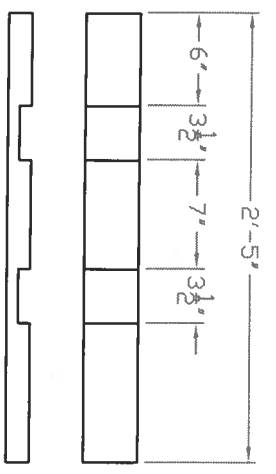


NOTE: - ALL MATERIAL FOR THIS STEP TO BE 2" X 4" PTP  
 - ALL JOINTS TO FASTENED USING 2 - #8 X 3" DECK SCREWS

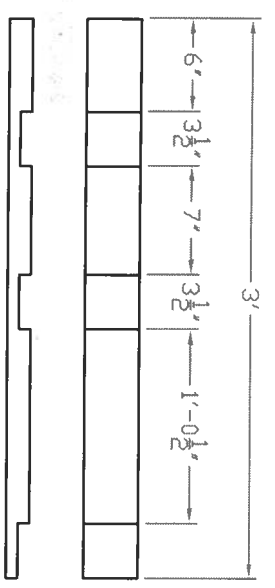
SEAT FRAME  
 -2 COMPLETE ASSEMBLIES REQUIRED



FRONT INSIDE LEG  
 -2 REQUIRED



FRONT OUTSIDE LEG  
 -2 REQUIRED

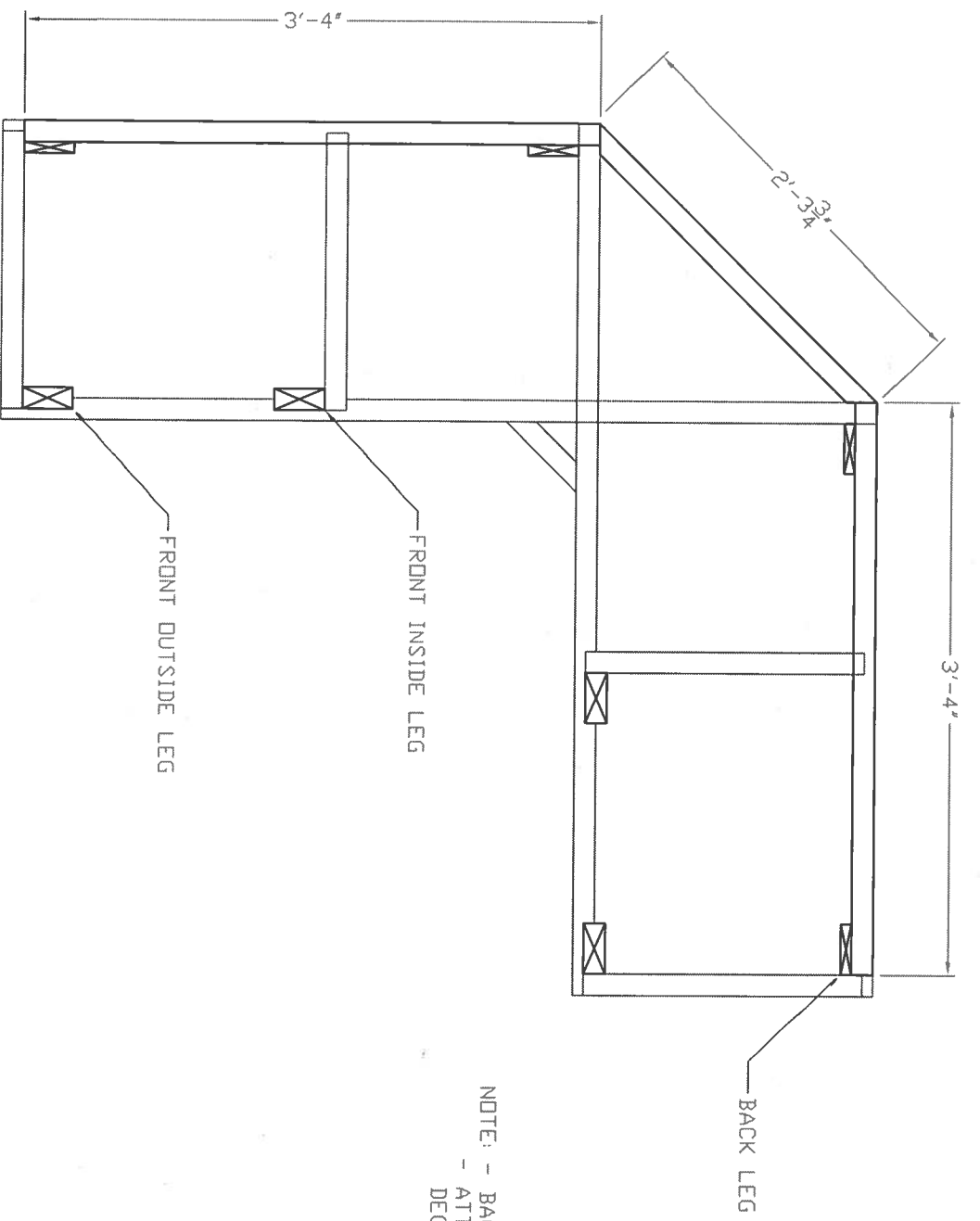


BACK LEG  
 -4 REQUIRED

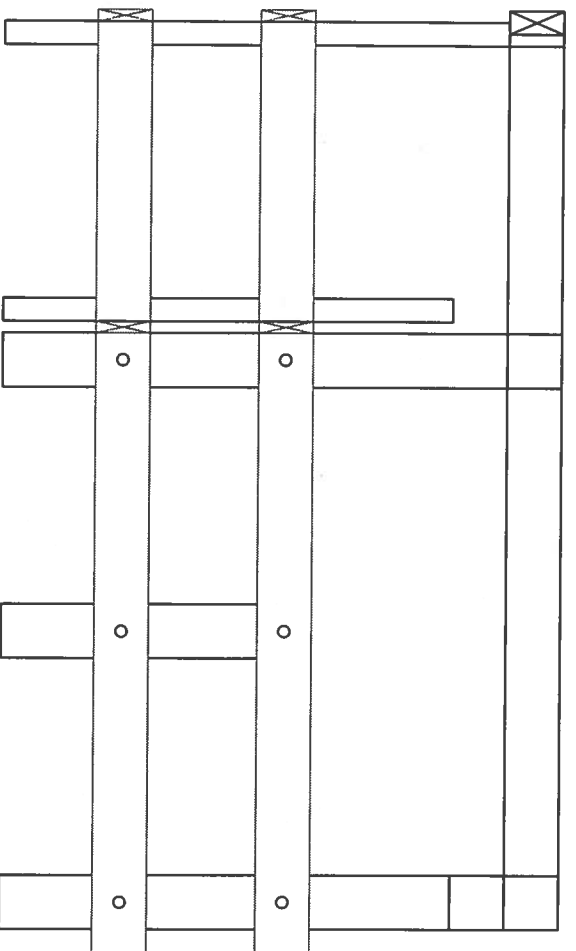
LEG DETAILS  
 NOTE: ALL DADDOS AND RABBETS ON LEGS TO BE CUT 3/4" DEEP

TEAM CARPENTRY  
 CHALLENGE

|                          |                 |
|--------------------------|-----------------|
| TITLE: GARDEN TWO SEATER |                 |
| DATE: FEB 2020           | SCALE: 1"=1'-0" |
| DRAWN BY:                | DWG. NO.:       |
| CLASS:                   | 1               |



NOTE: - BACK TOP RAIL TO BE 2" X 4" PTP  
 - ATTACH TO LEGS WITH #8 X 2" DECK SCREWS

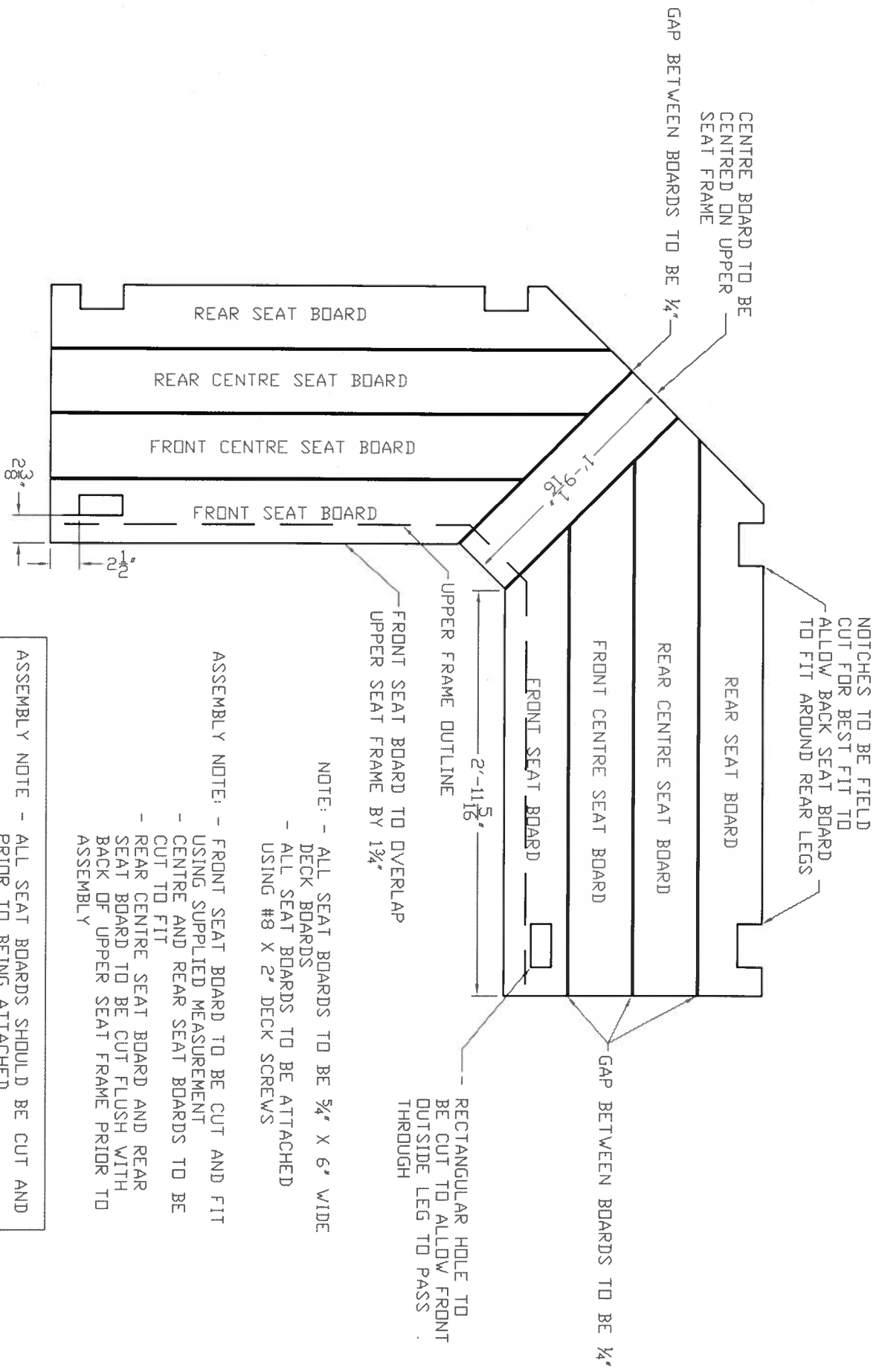


NOTE: - ALL LEGS TO BE ATTACHED TO UPPER AND LOWER SEAT FRAME USING 3/8" X 3" GALVANIZED CARRIAGE BOLTS CENTERED ON JOINT

NOTE: - CHECK ALL DADD JOINTS FOR PROPER FIT PRIOR TO FINAL ASSEMBLY

LEG & BACK RAIL ASSEMBLY

|                             |                   |
|-----------------------------|-------------------|
| TEAM CARPENTRY<br>CHALLENGE |                   |
| TITLE:                      | GARDEN TWO SEATER |
| DATE:                       | FEB 2020          |
| DRAWN BY:                   | SCALE: 1"=1'-0"   |
| CLASS:                      | DWG. NO. 2        |



NOTE: - ALL SEAT BOARDS TO BE 5/4" X 6" WIDE  
 DECK BOARDS  
 - ALL SEAT BOARDS TO BE ATTACHED  
 USING #8 X 2" DECK SCREWS

ASSEMBLY NOTE: - FRONT SEAT BOARD TO BE CUT AND FIT  
 USING SUPPLIED MEASUREMENT  
 - CENTRE AND REAR SEAT BOARDS TO BE  
 CUT TO FIT  
 - REAR CENTRE SEAT BOARD AND REAR  
 SEAT BOARD TO BE CUT FLUSH WITH  
 BACK OF UPPER SEAT FRAME PRIOR TO  
 ASSEMBLY

ASSEMBLY NOTE - ALL SEAT BOARDS SHOULD BE CUT AND  
 PRIOR TO BEING ATTACHED

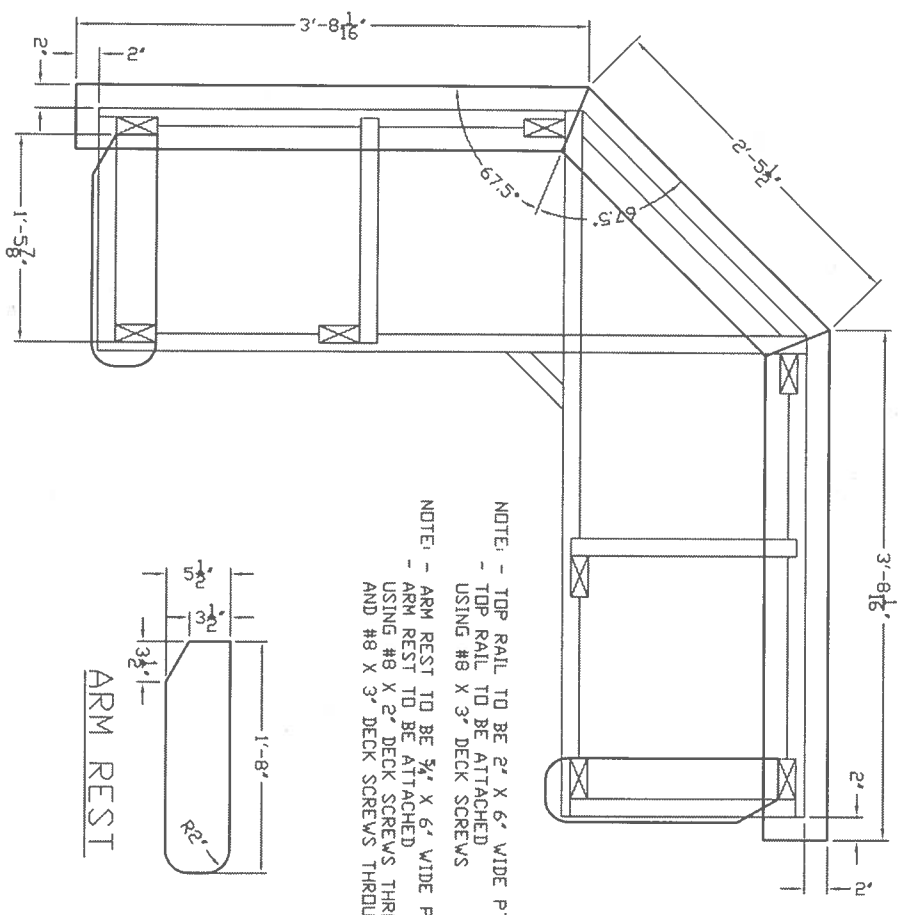
TEAM CARPENTRY  
 CHALLENGE

TITLE: GARDEN TWO SEATER

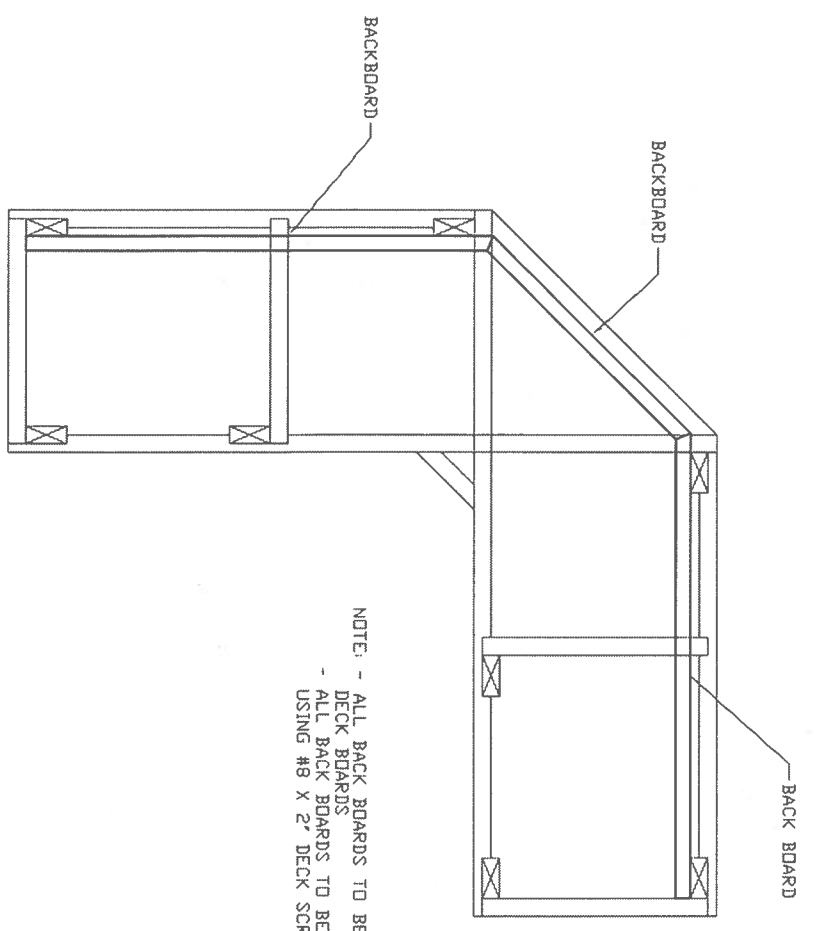
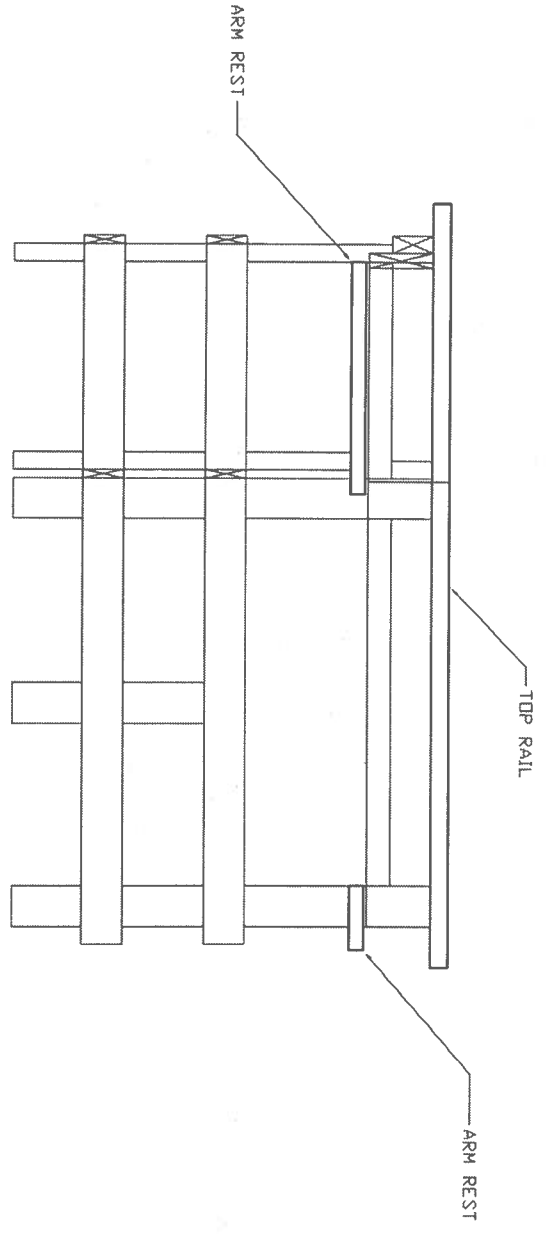
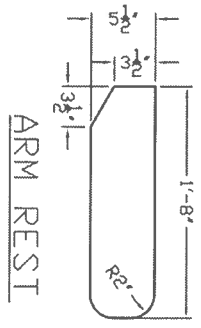
DATE: FEB 2020 SCALE: 1"=1'-0"

DRAWN BY: DWG. NO.:

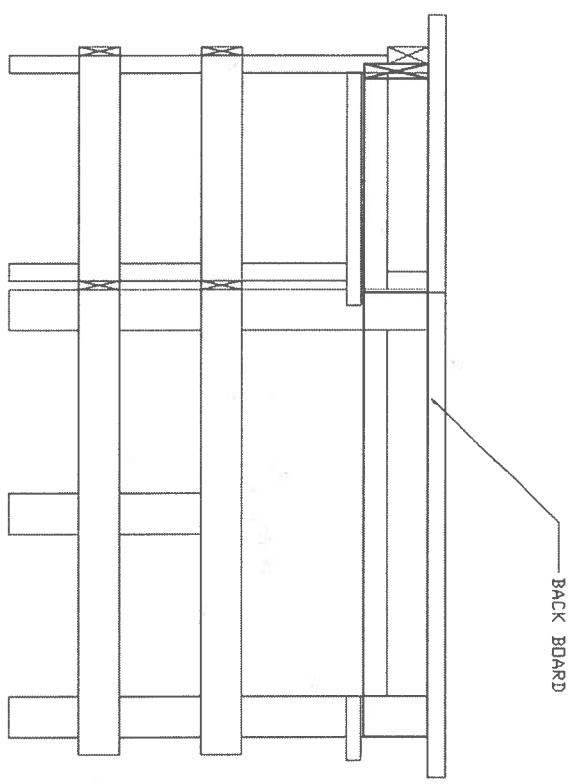
CLASS: 3



NOTE: - TOP RAIL TO BE 2" X 6" WIDE PTP  
 - TOP RAIL TO BE ATTACHED USING #8 X 3" DECK SCREWS  
 NOTE: - ARM REST TO BE 3/4" X 6" WIDE PTP  
 - ARM REST TO BE ATTACHED USING #8 X 2" DECK SCREWS THROUGH TOP AND #8 X 3" DECK SCREWS THROUGH END



NOTE: - ALL BACK BOARDS TO BE 3/4" X 6" WIDE  
 - ALL BACK BOARDS TO BE ATTACHED USING #8 X 2" DECK SCREWS



|                                     |                   |
|-------------------------------------|-------------------|
| <b>TEAM CARPENTRY<br/>CHALLENGE</b> |                   |
| TITLE: GARDEN TWO SEATER            |                   |
| DATE: FEB 2020                      | SCALE: 3/4"=1'-0" |
| DRAWN BY:                           | DWG. NO.:         |
| CLASS:                              | 4                 |