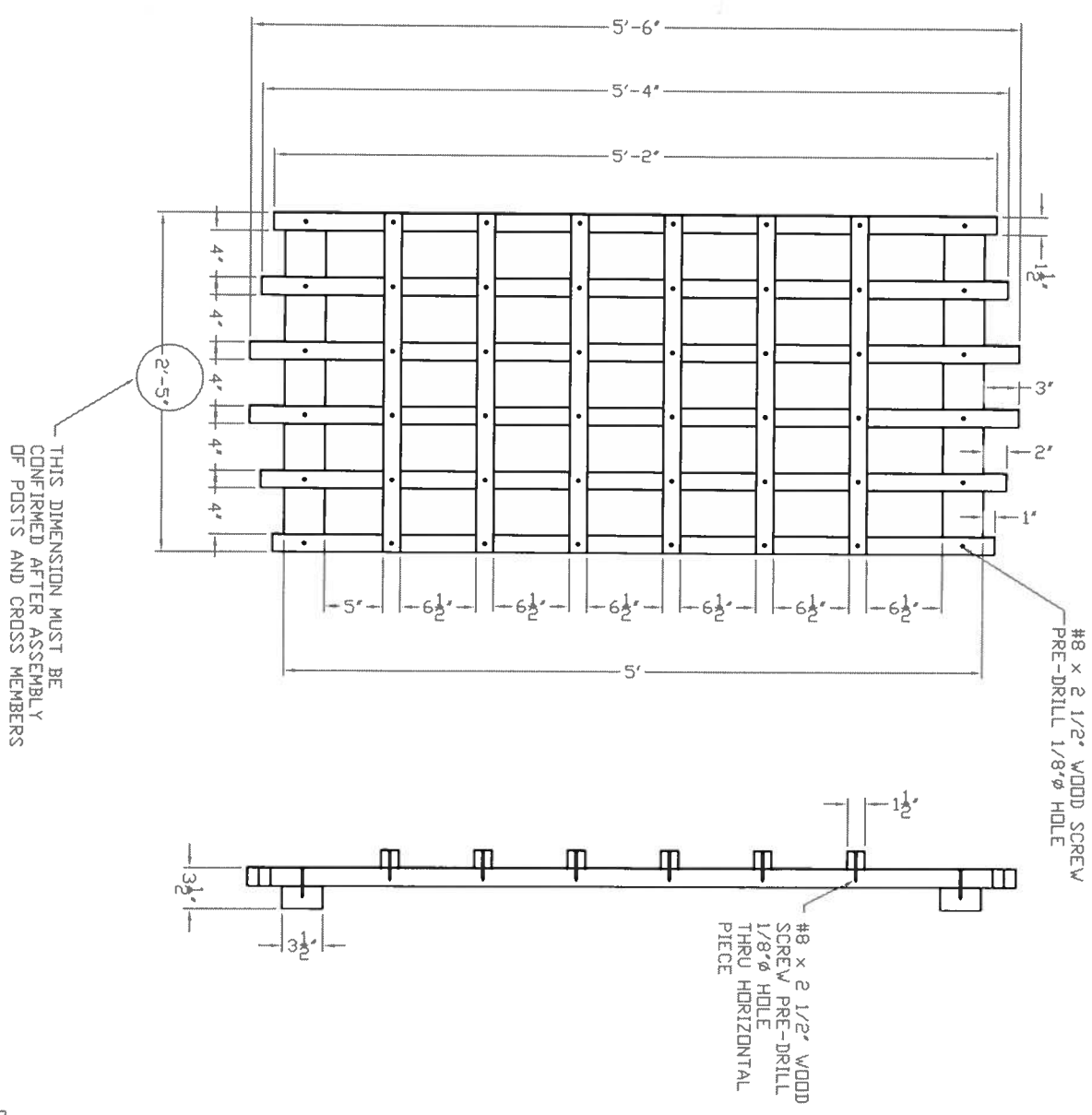
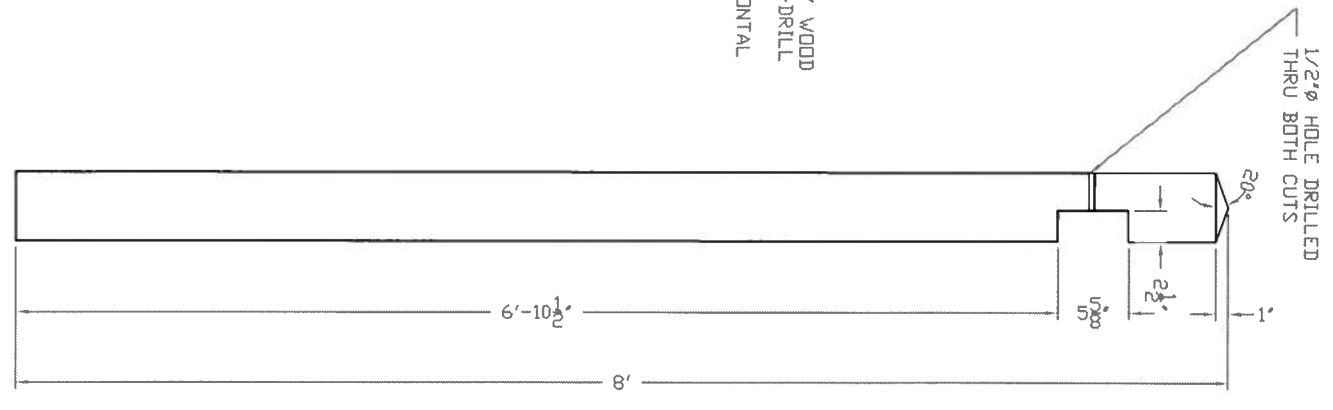


5'-6"

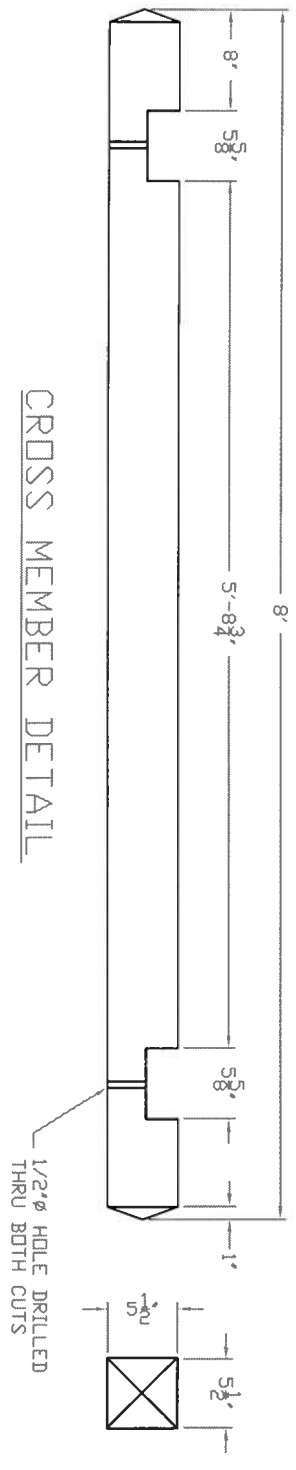


THIS DIMENSION MUST BE
CONFIRMED AFTER ASSEMBLY
OF POSTS AND CROSS MEMBERS

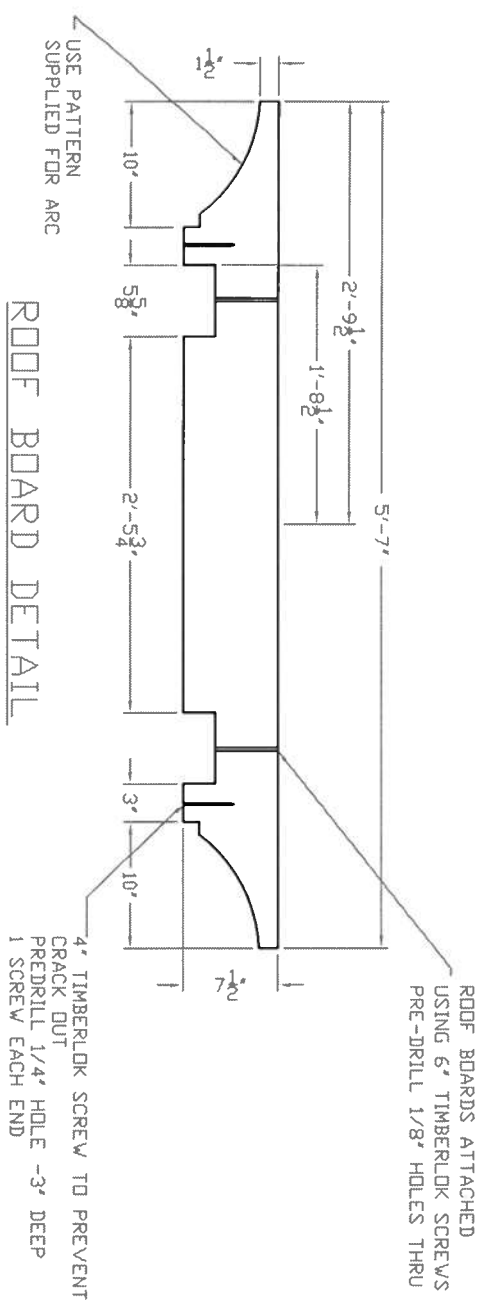


POST DETAIL

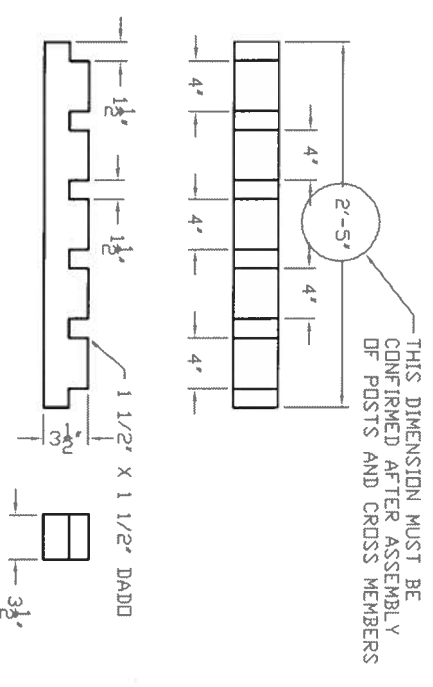
NOTE - POST TOPS AND CROSS MEMBER ENDS
TO BE CUT TO PYRAMID SHAPE AND THEN
SANDED TO AN ACCEPTABLE FINISH



CROSS MEMBER DETAIL

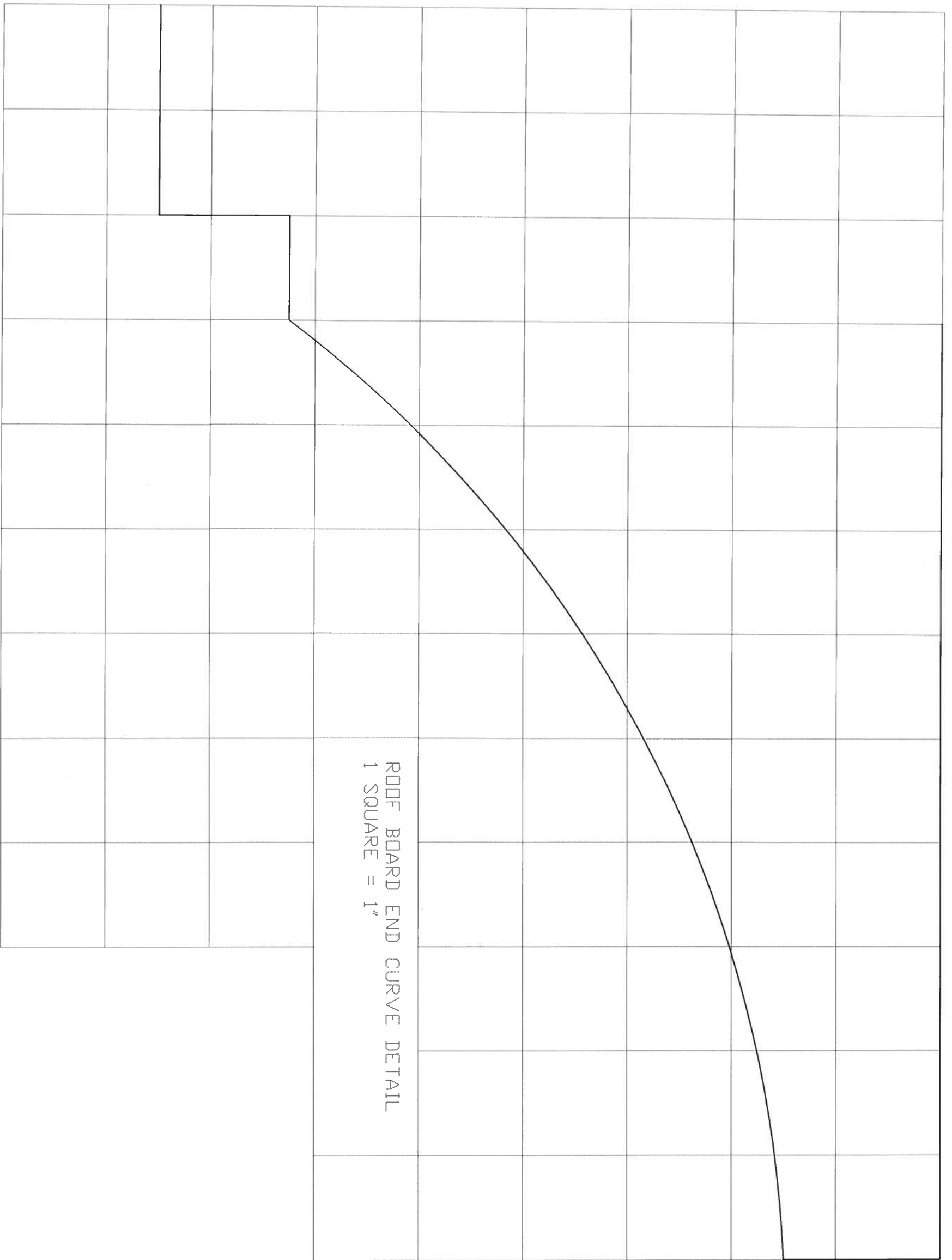


ROOF BOARD DETAIL



THIS DIMENSION MUST BE
CONFIRMED AFTER ASSEMBLY
OF POSTS AND CROSS MEMBERS

LATTICE TOP & BOTTOM DETAIL



ROOF BOARD END CURVE DETAIL
1 SQUARE = 1"