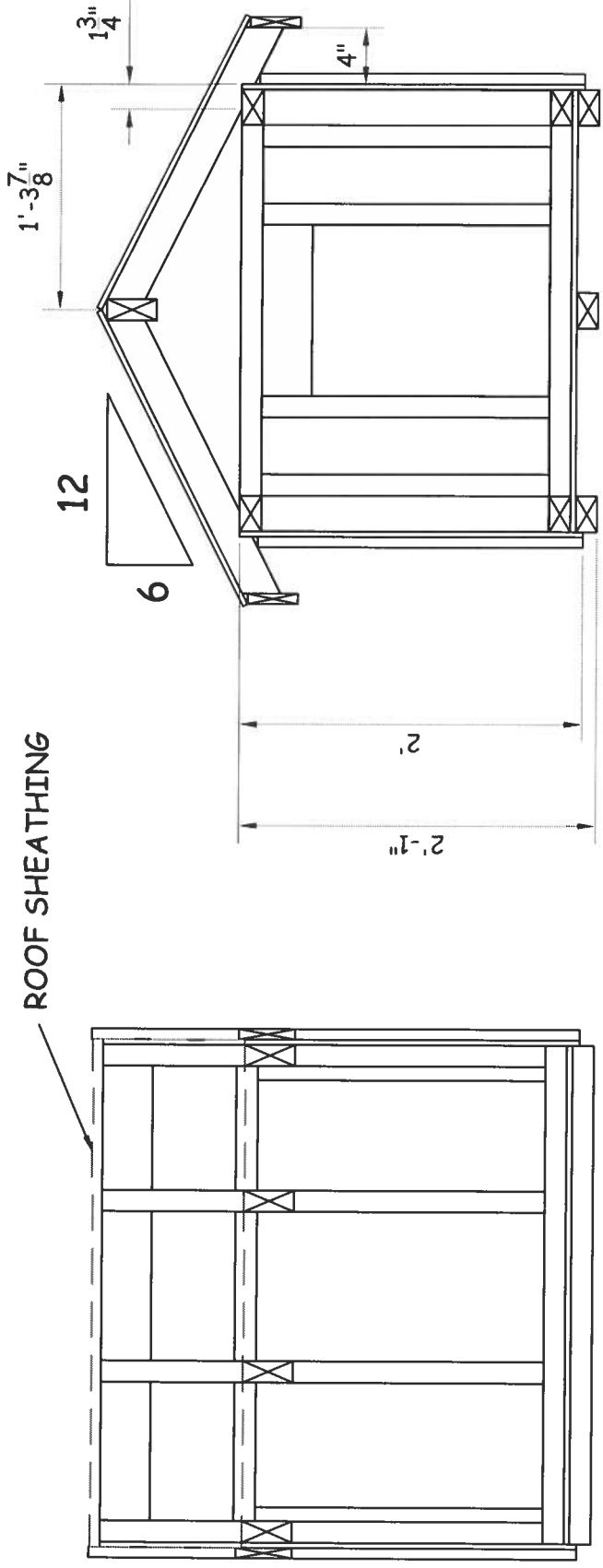


ROOF SHEATHING



SIDE FRAMING DETAIL

FRONT FRAMING DETAIL

FLOOR DETAILS:

FLOOR CONSTRUCTED FROM 2X3 SPRUCE RAILS, EVENLY SPACED COVERED WITH 3/8" SHEATHING

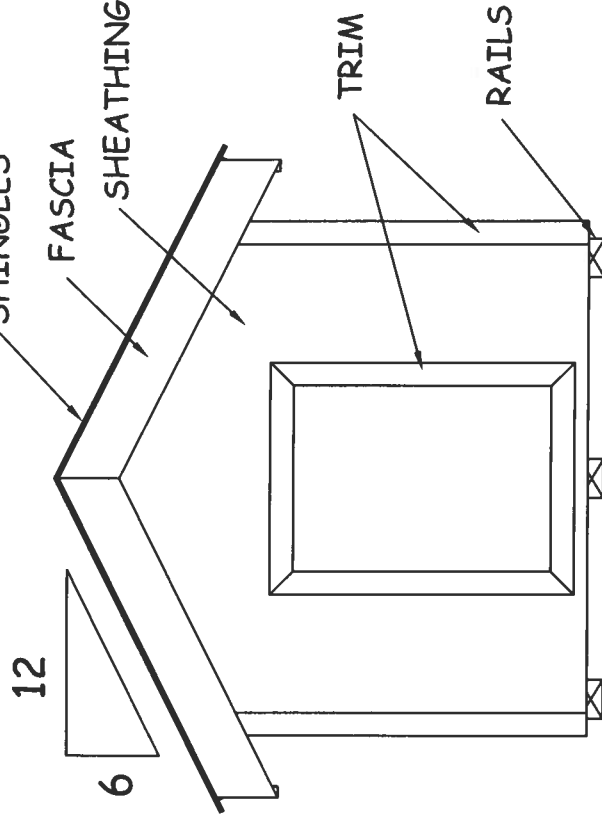
WALL DETAILS

WALLS CONSTRUCTED FROM 2X3 SPRUCE STUDS 12"oc

OPENING 12" WIDE AND CENTERED

2X4 SINGLE HEADER FLUSH WITH OUTSIDE OF FRAMING

WALLS TO BE COVERED WITH 3/8" SHEATHING CORNERS AND OPENING TRIMMED WITH 1X2 SPRUCE



FLOOR PLAN

FRONT ELEVATION

ROOF DETAILS:

RIDGE BOARD 2X4 SPRUCE

RAFTERS 2X3 SPRUCE

RAFTERS 12"oc (ABOVE STUDS)

OVERHANG 4"

FASCIA 1X4 SPRUCE

GABLE FASCIA IS FLUSH WITH TOP OF ROOF SHEATHING

ROOF COVERED WITH 3/8" SHEATHING AND ASPHALT SHINGLES

SHINGLES EXTEND 3/4" PAST FASCIA

**DSBN SKILLS Challenge
INDIVIDUAL CONSTRUCTION**